

PACKAGE CONTENTS

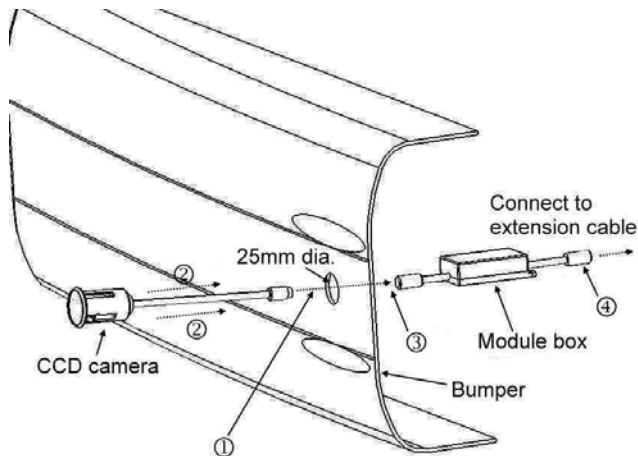
<p>10400822</p> 		
	<p>Module Box</p>	<p>Extension Cable (6m)</p>

User Manual

SAFETY PRECAUTIONS:

- Make sure to read the “User Manual” for safety precautions before installing unit or accessories.
- Please make sure the vehicle is well parked at a safe place and the engine and the power of the vehicle are switched off.
- Avoid installation outdoors under a thunder/raining situation.
- We demonstrate the situation when the passenger's seat is at the right side of the driver's seat. For the opposite situation, please change the directions.
- Objects in monitor are closer than they appear
- Rear Camera is not a safety device. Safe driving is the driver's responsibility in any and all circumstance.

Installation of CCD Camera

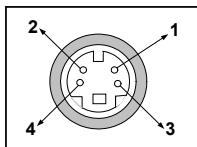


- ① Drill a hole (25mm dia.) at a proper place on the bumper. Please drill the hole above the steel structure inside the bumper.
- ② To push the camera into drilled hole on the bumper. Please turn the white mark on the camera to top.
- ③ Connect the 12pin mini DIN to integrate the camera and the module box.
- ④ Connect the 6 pin mini DIN to CCD camera extension cable.
- ⑤ For the extension cable, connect the white colour wire to the power supply 12v(+), connect the black colour wire to the power supply 12v(-)
- ⑥ Connect the RCA plug to the input source of a device.

Important:

- * The rear view camera will be used when the car is in reverse.
- * Make hole on vehicle body if necessary just large enough for the Camera Extension Cable Connector to pass through while installation.
- * Please take special care to the wire positioning while install the rear view system in order to avoid wiring damage.

Installation of 4pins connector



Pin No.	PART-DESC
1	Video Output
2	Power DC 12V
3	GND
4	

SPECIFICATION

ITEM	DESCRIPTION
------	-------------

10400822



***150°** Split Internal / External Color CCD camera

***Size :** 25Ø x 40 mm

Number of effective pixels	NTSC: 512(H)*492(V) ; PAL:512(H)*582(V)
Sensor	1/3 inch - type CCD Sensor
Signal processor	Digital signal processor (D.S.P)
Resolution	>250,000 pixels
Digitalis	10 bit A/D Converter
Sync. System	Internal
Resolution	More than 330 TV line
Minimum illumination	1.0 LUX / F1.2
S/N ratio	More than 48dB
Gamma correction	0.45
Gain control	AGC
White balance	AUTO
Exposure	A.E: auto electronics shutter 1/60 s(1/50 s)~1/100000 s
Video output	1.0Vp-p composite video. 75(OHM) load
Power consumption	180mA, 2.4W(MAX)
Operation temp	-30°C TO 80°C
Storage temp	-40°C TO 85°C
Lens mount type	Pin Hole Lens
Supply voltage	DC12V, 180mA(+/-10%)
Horizontal Angle	Minimum 104°± 2°
Vertical Angle	Minimum 80°± 2°
Diagonal Angle	150°